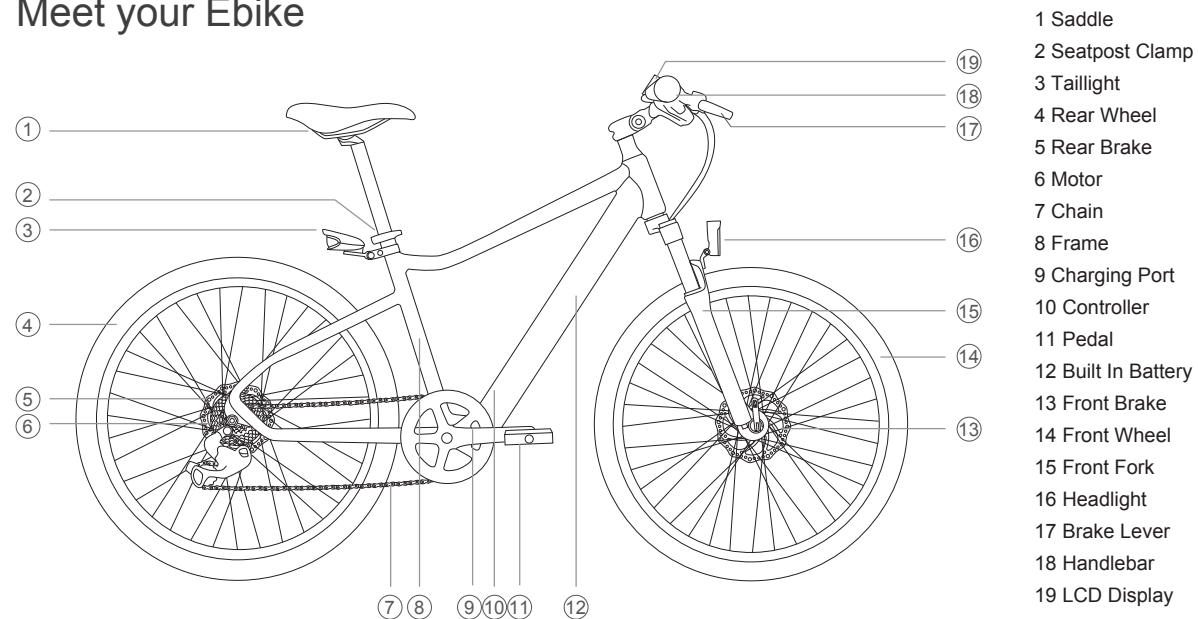


Electric Bike Operation Instruction

This is a precision instruction ,please make sure you read this carefully before you try your first ride.
If you doubt about any information inside this instruction,please contact us or your local distributor.

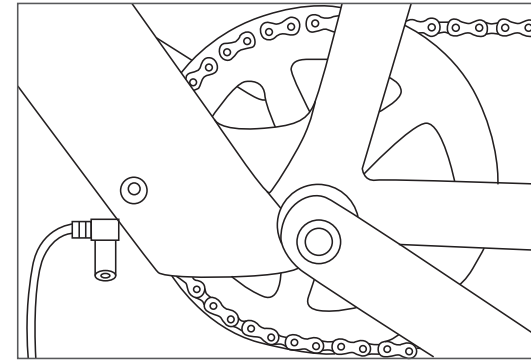
Meet your Ebike



Paremeter

Product name: Electric Bike	Motor: 350W brushless geared DC motor	Brake: Oil-pressure Brake
Model name: 27.5 inch Mountain	Rated output power: 350W	Rim: 27.5 inch Al-Alloy
Size: 1800*640*1070mm	Motor efficiency: ≥80%	Tire: Kenda 27.5X1.95
Wheel base: 1130mm	Rated RPM: 200r/min	Chain wheel: 45T
Net weight: 23kg	Rated voltage: 36V	Fly wheel: 9 Speed
Range: PAS ≅ 50KM	Overcurrent protection: 15±1A	Rear hub: Al-Alloy
Standard load: 100KG	Low-voltage protection: 31.5±1V	Chian: KMC
Top speed: 32KM/H	Kwh: ≤1.2Kw.h	Handle bar: EVA
Charge time: 5 Hs	Ride system: 4 classes PAS+cruise (Optional)	Display: LCD
Battery type: Lithium-ion	Tire diameter: 27.5inch	Controller: sine wave FOC
Battery capacity: 36V 10.4Ah	Frame: 27.5 inch 6061 Al-Alloy	Brake lever: Al-Alloy ebike lever
Noise: ≤62db(A)	Front fork: Suspension Fork	Saddle: Velo

Charge your Ebike



The charging port is located on the left bottom of the lower tube on the frame, covered by a rubber dust-free cover, uncover it, plug the charger into the port; cover the port again when charged.

Reminder:

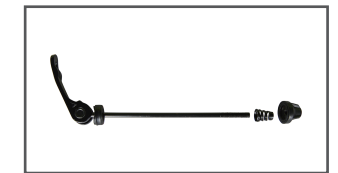
When you received our E-Bike, the front wheel is dismantled because of the package. In this part, we will explain how to install the front wheel for you:



1. Keep the front fork of the E-Bike and the angle of the front wheel. Install the front forks on the front hub.



2. Notice that the brake disc is also stuck to the wheel brake.



3. Quick release lever.



4. Insert the quick release lever on both sides of the front hub, and lock it.



5. Adjust the switch of quick release lever and press to lock, complete the installation.

Attention

Battery & Charge Ride & Maintance

- Red indicator on the charger means charging, when it turns green, please stop charging your battery;
- Do not expose to temperature $-20\text{ C} <$ or $> 35\text{ C}$, Fully charge the battery and store separately if not use for over 30 days. Fully charge it every 90days, or the battery may self-discharge and be damaged. This damage is not covered by the Limited Warranty;
- Never expose your battery to damp environment or soak into water, never short circuit the battery terminals, This damage is not covered by the Limited Warranty;
- Charge with the original charger only;
- Do not disassemble/punch battery pack. Do not place it in fire or drop from high, Avoid contacting with contacts;
- Turn off Ebike's power before charge it. Plug the charge port first then the AC plug;
- Do not cover any items on the charger during charging;
- Pull out charge port before the AC plug;
- Please keep battery outreach from children.
- The capacity of Li-battery will decrease when $-10\text{ C} <$;
- Recycle or dispose of in accordance with local regulations.

Ride & Maintance

- Must with your helmet on and follow the local laws and regulations;
- Read this instruction carefully before riding a Ebike;
- Start your ride with the 3rd PAS class;
- Keep the lamp on at night;
- Fully check brake system ,tire pressure ,and battery remain before riding;
- PLEASE do take front brake FIRST;
- Do not intense riding;
- Do not ride into water over 15cm;
- Replace the quick-wear parts(like brake pad)in time;
- Juveniles Pregnant Intoxicated are not allowed to ride Ebike;
- Keep your Ebike away from damp, high temperature or corrosive environment;
- Keep your Ebike away from sun-scorched and rain-drenched;
- Check screws ,chain and other parts regularly.